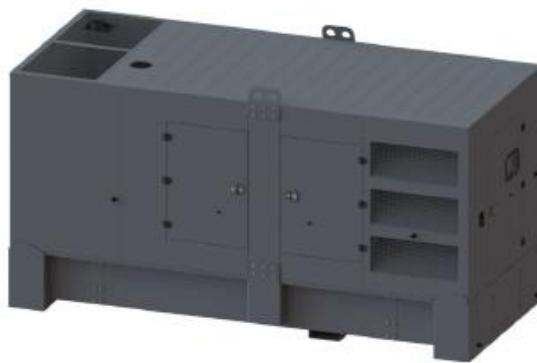




LIGHT & POWER BY DUTRY POWER

GENERAL DATA

MODEL :	FDG365SA
ESP :	402 kVa
PRP :	365 kVa
VOLTAGE :	400V
FREQUENCY :	50 Hz
CURRENT :	527 A
FUEL :	Diesel
WEIGHT :	4560 KG
DIMENSIONS :	4560 x 1961 x 2521 mm



ENGINE

BRAND :	Scania
TYPE :	DC13 072A 02-11
POWER :	320kW
ROTATION PAR MINUTE	1500
ENGINE GOVERNOR	Electronic
No of cylinder :	6
Displacement :	12,7L
OIL capacity :	36L

ALTERNATOR

BRAND :	Leroy Somer
TYPE :	TAL 046H
IP PROTECTION :	IP23
INSULATION CLASS :	H

GENERAL EQUIPMENT

COMAP AMF 25 controller
Engine preheating with thermostat
Battery charger
Schneider 4 poles circuit breaker
Emergency stop
Silenced canopy made with Al.Zn
Standard RAL 7032
Fuel inlet outside of the canopy
Fuel level measurement
Transportation brackets

FUEL

Fuel tank :	990 L
Autonomy 100% load :	14,3 H
Fuel consumption :	
50% charge :	36,5 L/H
75% charge :	52,6 L/H
100% charge :	69,4 L/H
110% charge :	76,6 L/H

Dutry Power Roeselare
brugsesteenweg 512
8800 Roeselare
+32(0)51 20 00 88

Dutry Power SPL
Bergensesteenweg 838
1600 Sint Pieters Leeuw
+32(0)2 377 75 23

Dutry Power Lux
Rue Andre Feher 3/D
6900 Aye
+32 (0)84 31 69 27